

# D.T.MUX Nano<sup>TM</sup> Recorder



From 32GB to 512GB  
Solid State Drive



Reference# **D.T.MUX-NANO**

The D.T.MUX Nano Airborne Data Recorder, is a powerful miniature unit with recording capacity on Solid State Disk (SSD) from 32GB to 512GB, support Military Grade Encryption/Erasure and Physical Destruction. IRIG 106 Chapter 10 Compliant.

An ultra-compact and standalone airborne data logging unit, with a quick access removable media of solid state flash memory, who permit an easy data retrieval at the exploitation center. D.T.MUX Nano can be built to meet your customized configuration. This device is particularly adapted to mission use, like surveillance and reconnaissance activity

## Applications

- Mission Recording
- Aircraft pilot training and mission debriefing
- Reconnaissance and surveillance
- For Fixed-wing, Rotary-wing and UAV

Ultra-compact recorder, with low weight of 1Kg (2.2lbs) it allows you to record a lot of parameters in a reduced volume. This unit is capable to record in same time Analog/Digital bus, Video/Audio data.

These parameters can be multi video channels, until Ultra HD 4K 60fps Resolution/ full HD 1080/720p/I or lower (MJPEG 2000/H.264/H.265 compression) and MIL-STD 1553, ARINC 429/717/573, PCM, CAN Bus, Gigabit Ethernet, RS 232/422 and Analogic channels with signal conditioning (Strain gauge, ICP, Thermocouple...)



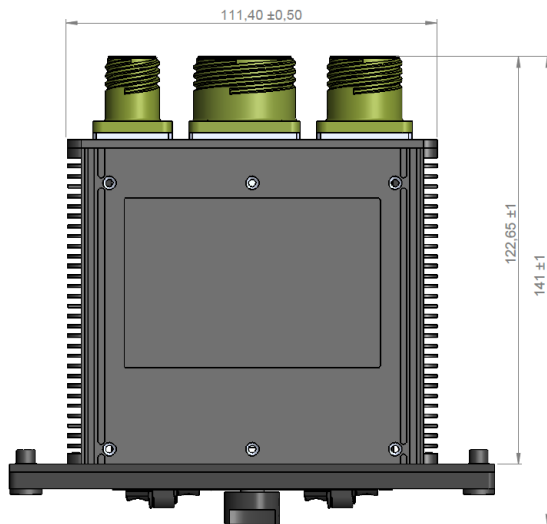
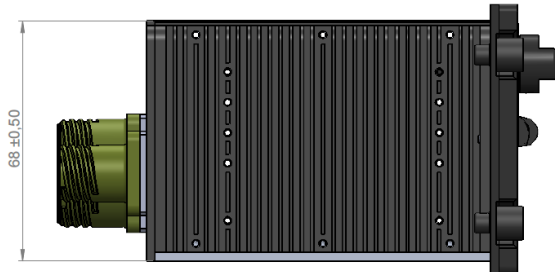
\*All Channels can be design on your special requirements.



www.etep.com

### MECHANICAL

	Specification	Remark
<b>Size</b>	141 x 111.4 x 68 mm	± 1mm
<b>Weight</b>	≈ 1Kg	≈ 2.2lbs
<b>Connectors</b>	MIL-DTL-38999	Serie III
<b>Mounting</b>	DZUS or Fix plate	Customizable



### ELECTRICAL

<b>Input Voltage</b>	28Vdc (16 to 36Vdc)
<b>Power consumption</b>	≈ 12 to 25 watts (28Vdc)
<b>Power Interruption</b>	≈ 60 to 100ms
<b>Standard</b>	MIL-STD-704F

### ENVIRONMENTAL

	Specification	Remark
<b>Temperature</b>	-40°C to 71°C	Operating
	-55°C to 95°C	Storage
<b>Cooling</b>	Passive	Convection
<b>Humidity</b>	95%	Non-Cond
<b>Vibration</b>	5Hz to 2KHz	6.29 g RMS
<b>Shocks</b>	60g 11ms	Operating
<b>Acceleration</b>	20g linear 3 axis	Operating
<b>Altitude</b>	+ 60,000 ft	Operating
<b>Decompression</b>	420Kpa/minute	Operating
<b>MTBF</b>	> 50,000 hours	Computed
<b>EMI</b>	MIL-STD-461	Rev F

### STANDARD FUNCTIONALITY

	Specification
<b>Gigabit Ethernet</b>	Configuration/Control Data download and Streaming
<b>Time synch</b>	GPS Antenna input / Irig B / PTP v2
<b>Audio</b>	One included
<b>Recording</b>	IRIG 106 Chapter 10 / DTMUX format
<b>COM port</b>	RS-232 Configuration/Maintenance
<b>LED</b>	Status Led / Status output

### D.T.MUX NANO CODE COMPOSITION

Mounting Type  
D : DZUS Cockpit  
P : Fix Plate  
X : Customized

DT-MUX-NANO-V4K1-15532R-PCM2-D



### SELECTABLE CHANNELS

TYPE	CODE	Max Channels		
		2R (4)	2R (4)	0
MIL-STD-1553	1553	12	12	8
ARINC 429	A429	12	12	8
ARINC 717	A717	12	12	8
ARINC 573	A573	12	12	8
PCM	PCM	4	4	4
RS232/422	RS	12	12	8
CAN	CAN	8	8	8
DISCRETE	DS	24	24	12
ANALOG	LOG	16	16	8
VIDEO SD	VSD	2	2	2
VIDEO HD	VHD	2	2	0
VIDEO 4K	V4K	1	1	0

System can be design following your special requirement.  
\*You can select number of channel desired **from 0 to max value**.

### STORAGE SSD CARTRIDGE

SSD-64-DE-QE-0-N



<b>Storage Capacity</b>	32 / 64 / 128 / 512
<b>Data Encryption</b>	DE / 0*
<b>Quick Erase</b>	QE / 0*
<b>Physical Destruction</b>	PD / 0*

\*0= None

SSD for configuration is also available  
PN# SSD-CONF-N