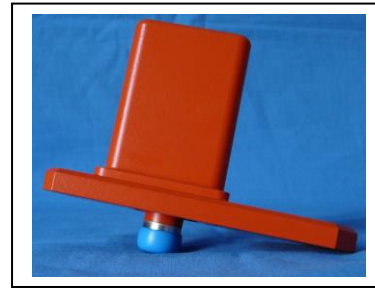
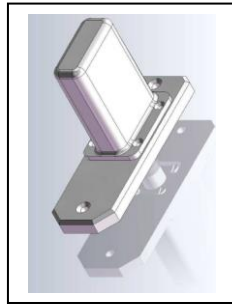


S+C Band ANTENNA Ref.: NE0059- G-0



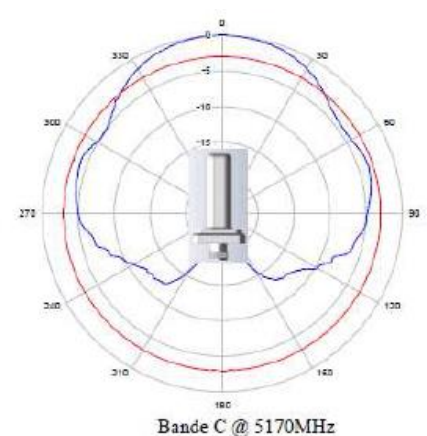
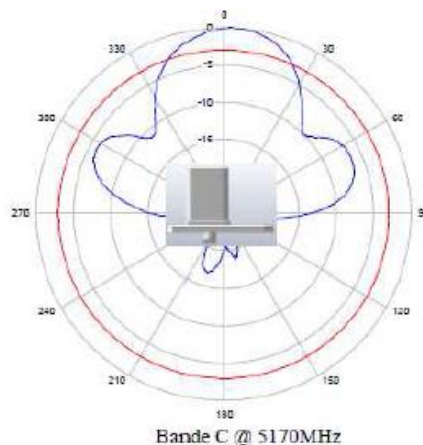
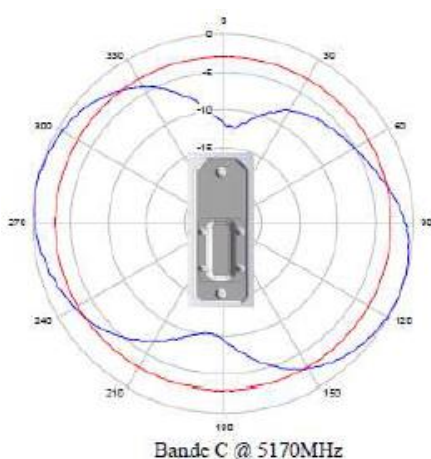
DESCRIPTION

This antenna operating in S + C frequency bands has been designed for working in horizontal polarization, for telemetry applications with special conditions of flight and high temperature.
This antenna is in operation on board AIRBUS aircrafts.

TECHNICAL CHARACTERISTICS

Frequency Range	:	2300 – 2400 MHz & 5150 – 5350 MHz
VSWR	:	2:1 for 2300 – 2400 MHz & 1.8:1 for 5150 – 5350 MHz
Polarization	:	linear
Radiation pattern	:	omni-directional in Azimuth
Impedance	:	50 Ohms
Connector	:	N-F
Power Handling	:	50W CW
Mechanical (without connectors)	:	L: 120 mm, W: 44 mm, H: 76.8 mm
Temperature (air)	:	-55°C to +85°C
Altitude	:	0 to 55000 ft
Speed	:	550 Knots/air
Weight	:	500 g
Color	:	Orange (others colors upon request)

ANTENNA PATTERNS



CONTACT INFORMATION



AA SYSTEL company

Address : 9 rue Ravel – 91620 NOZAY, France
 Phone : + 33 1 69 63 86 30 Fax: + 33 1 69 63 84 74
 Contact : Mr. FOURREAUX Gérard Mobile: + 33 6 75 23 94 32 Email: gerard.fourreaux@aasystem.com

<http://www.aasystem.com> & <http://www.group-aa.com>